

# Vento



Design protected

[www.leggero.ch](http://www.leggero.ch)

Leggero®  
*Vento*

Bedienungsanleitung





# Venturo

ENGLISH

*Operating instructions*

ITALIANO

*Notice d'utilisation*

FRANÇAIS

*Notice d'utilisation*

DEUTSCH

*Bedienungsanleitung*

# Leggero Vento

## Content

---

Your new bicycle trailer .....	58
Safety instructions .....	60
Adjusting the safety belts .....	62
Included in the delivery .....	63
Assembly .....	64
Seat adjustment .....	70
Maintenance and care .....	73
Safety check-list .....	74
Factors which have the effect of increasing wear .....	75

## Your new bicycle trailer

---

### General

The bicycle trailer Leggero Vento is a premium quality trailer for pulling children, designed according to the latest knowledge of ergonomics and safety.



These instructions describe assembly and proper use, and important instructions for your safety.

**Note:** Store these operating instructions in a location accessible at all times for all users. Read these operating instructions carefully and fully, especially the section on safety. This includes instructions which are necessary for safe use of your bicycle trailer and for avoiding accidents and defects.

## Intended use

The Leggero-Vento trailer may only be used as a bicycle trailer or moped (electric bicycle) trailer up to a maximum speed of 25 kph. Use with a motor vehicle is prohibited.

Permitted by the manufacturer is the transport of:

- A maximum of 2 children (Manufacturer recommendation, up to the age of 6 years), or max. weight of 22 kg per child.
- Goods up to a total trailer weight of 60 kg.
- When transporting goods, care must be taken to ensure that the load is placed to the greatest extent possible above the trailer axle, and that the load is secured if at all possible. Adding additional loads to the tow bar is not permitted.



### CAUTION

The trailer's maximum weight of 60 kg must never be exceeded. According to the road traffic act (STVZO, Germany) a maximum total weight of 40 kg applies for trailers without brakes.



No inappropriate modifications and subsequent changes are permitted on the trailer, and no additions of any kind may be mounted, in as far as these are not explicitly approved by the manufacturer. Parts bolted together by the manufacturer may only be removed or replaced at the plant or by an authorized technician. The manufacturer refuses all liability for accidents and defects of all kinds which arise from improper use.

Max. payload 45 kg.



## Additional equipment

A wide range of accessory parts are available for the Leggero Vento. Ask your dealer, or enquire directly at the manufacturer about the available accessories, or request an up-to-date list.

Separate couplings are available as accessories for use on other bicycles.

# Safety instructions

Read the following safety instructions carefully.

## CAUTION

### General regulations

Observe the applicable legal regulations and recommendations for the use of bicycle trailers as well as for the transport of children and goods on them, which are valid in the country where the bicycle trailer will be used.

**Lighting equipment:** Observe national regulations.

If you would like to travel in other countries or take cross-border outings, also inform yourself about the respective national regulations.



## CAUTION

*Attention, danger of accidents! It is necessary to observe the following safety regulations to prevent accidents and life threatening situations:*

- Minimum age of the rider pulling the trailer is 16 years.
- Use of the trailer with a motor vehicle – except for mopeds up to a maximum speed of 25 kph – is prohibited.
- The Leggero Vento may be coupled to the bicycle only using the included coupling.
- Children must always be strapped in by the safety belts to keep the risk of accidents and/or injury to a minimum. The height-adjustable safety belts are to be adapted to the respective sizes of the children.  
When pulling only one child the «middle» seating position is recommended (Fig. 1). It is highly recommended that a safety helmet be worn (observe the respective national regulations).
- Do not transport children under 1 year in the trailer.
- Never leave children unattended in the trailer.
- Children being pulled must have enough head clearance (Recommendation: minimum 5 cm) to ensure proper roll-over protection. The heads of the children must not project with the safety helmet beyond the marking in the trailer (Fig. 2).
- In situations of strong sunshine and a closed hood, it can heat up considerably inside and have dangerous effects on the children.
- Mount a spray guard on the bicycle to prevent splashes and loose objects from penetrating. A cover (rain or sun cover) offers additional security.
- It is recommended that rear-view mirrors be mounted on the bicycle.
- The pulling bicycle should be equipped with front wheel and rear wheel brakes.
- The included cover must be mounted when driving.

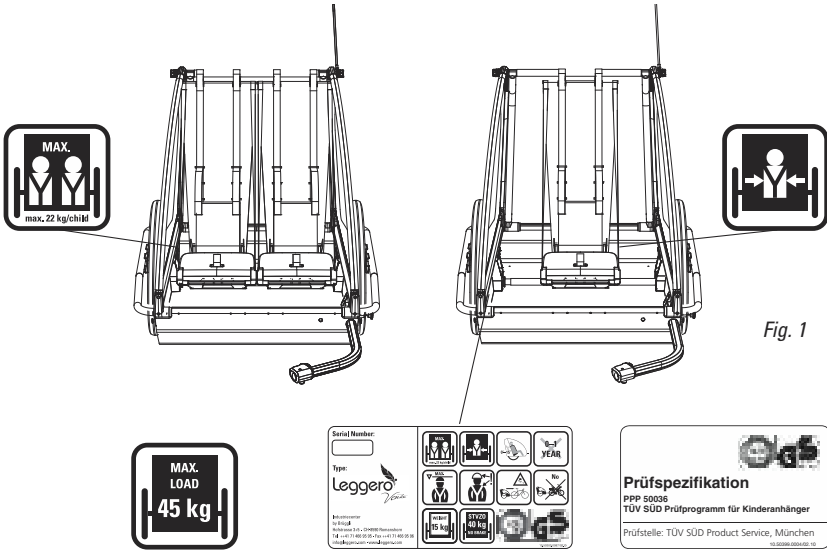


Fig. 1

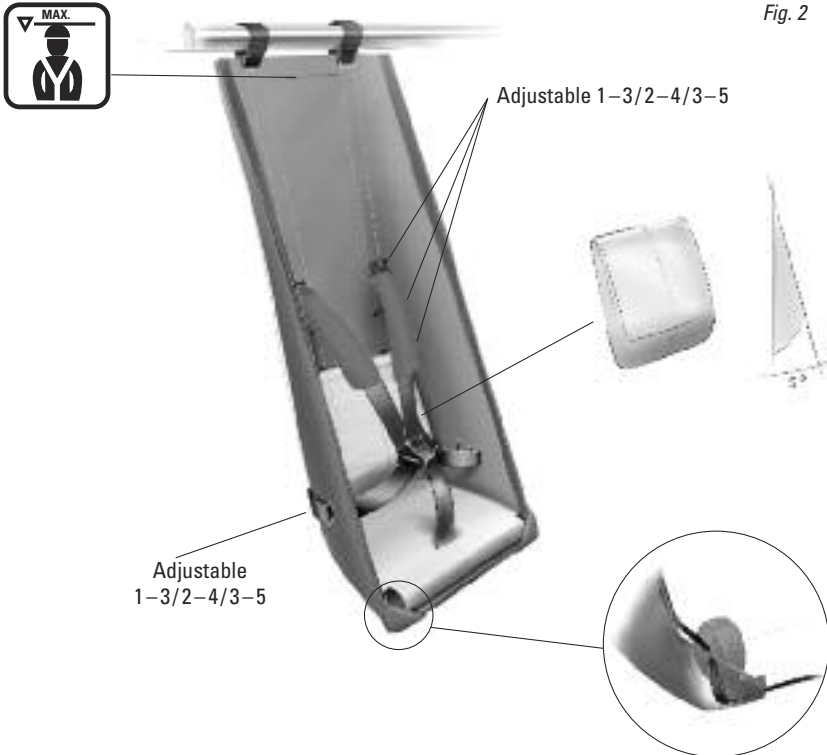


Fig. 2

## Adjusting the safety belts



The safety belts should pass horizontally or angled slightly upwards (max. 15°) over the shoulders of the child to provide the best possible safety.

To achieve this, the belts can be adjusted.

To do this, slide the belts towards the back through the slits in the tray.

From the back, slide the belts again towards the inside through other slits. This way three different heights of the belt can be adjusted.

Check for the proper tautness of the safety belts. The belt should run along the body relatively close fitting, but still be comfortable. This can be adjusted using the sliding buckle on the belt.

### Operating safety

It is important to observe the following instructions in order to ensure operating safety even after years of use:

- Have the trailer checked periodically (a minimum of every three years) in a professional workshop.
- Aluminium parts are susceptible to deformation and cracks. Immediately replace bent aluminium parts.



### CAUTION

- Risk of breakage: Never bend deformed or bent aluminium parts back into shape.
- Plastic parts can become brittle under certain weather conditions. Cracked or damaged parts must be replaced immediately.
- We recommend that you replace the PU link every 5 years.
- Have any heavily corroded steel parts replaced immediately.

### Ride characteristics

The braking and cornering characteristics of bicycles change when pulling a trailer. Before using the trailer in regular road traffic, take time on suitable grounds to become familiar with these changed characteristics.



### CAUTION

Attention: Note especially that it takes longer to brake with the trailer attached. To prevent the trailer swinging outwards or even overturning, your riding style should be suitably adapted. You should moderate your speed, especially on unsurfaced tracks or pathways. Off-road mountain bike tracks with very steep inclines should be avoided.





## Included in the delivery (Fig. 3)

### Model Leggero Vento trailer for pulling children

Name	Quantity
A Main section, including 2 seats	1
B Wheels	2
C Cover v 98	1
D Tow bar with «becco» coupling	1
E Flag	1
F «becco» coupling	1
G Operating instructions	1

### Assembly materials

Name	Quantity
H Fastening nuts «S»	2

After unpacking the delivery, check for completeness and possible damages.

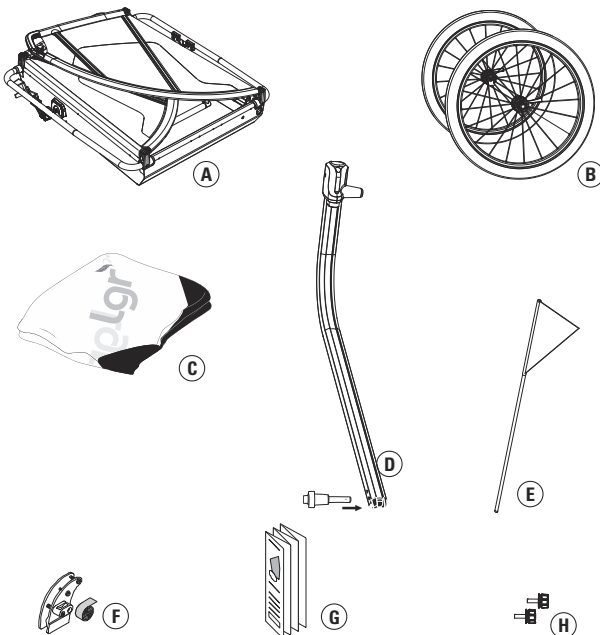


Fig. 3

# Assembly

Assembly: Rollbar and side parts (Fig. 4)

- 1a Unfold the side parts of the included main section in an outwards direction, and stand the rollbar up in a vertical position. Now insert the threaded bolts into the holes on both sides of the handle, and fasten these tightly with the included fastening nuts «S».
- 1b Now, on the front face, snap the floor cover to the fastening knobs using the rubber rings.

## Mounting the wheels

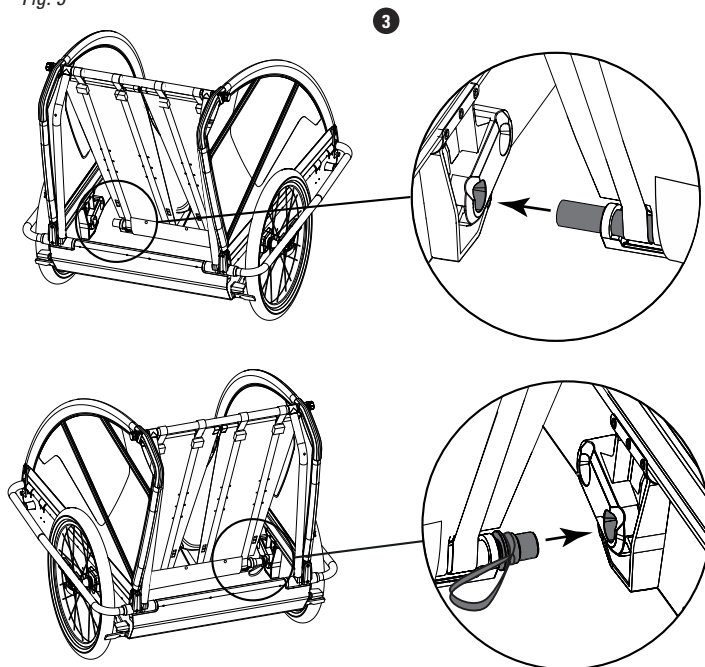
- 2 From below, slide the wheels up into the axle holders, tighten the quick tighteners, and when they are tight enough, turn them down.

Note:

Locking brake

The locking brakes at the back can be engaged and disengaged by foot.

Fig. 5



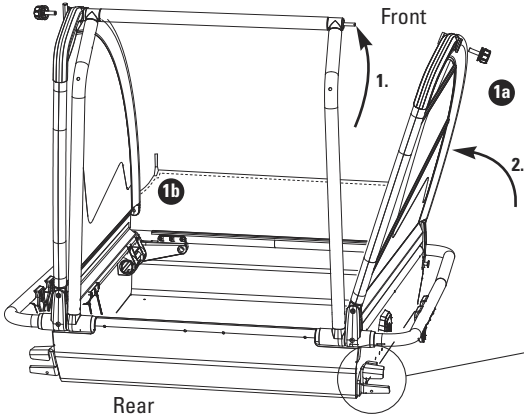
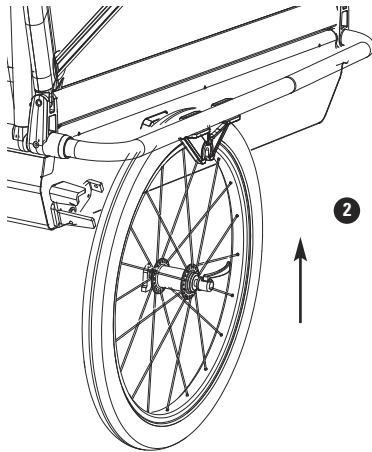
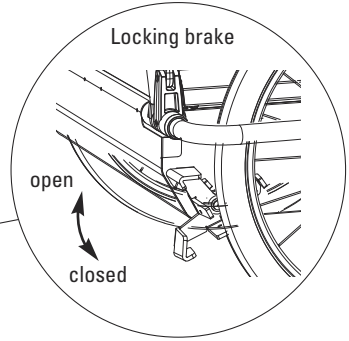


Fig. 4



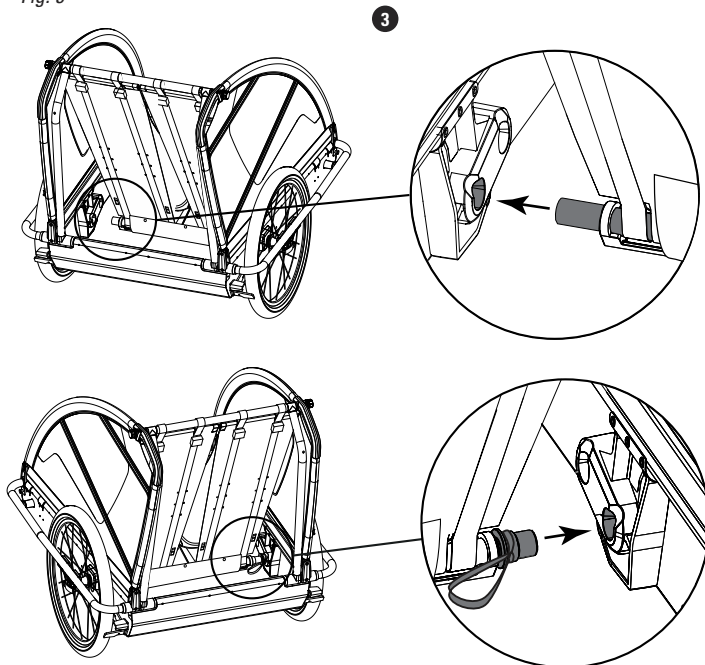
## Mounting the seats (Fig. 5)

- 3** On the left side insert the seating tube into the hole of the wheel holder intended for this. Now, by pulling back the pin, on the right side it is possible to clip the seating tube into the hole for this in the wheel holder housing. Take care to ensure that it clips in properly.
- 4** Fasten the seats at the back using the snap fasteners on the holding belts.
- 5** Then fasten the seat belts at the top (Fig. detail) around the rollbar and lash them tightly. Take care to ensure that the belts are tightly fastened. Take care to ensure that the settings of the five-point belts are adjusted suitably corresponding to the age of the child (Fig. 2, page 43)
- 6** Warning: Seat tube must not be inserted inclined.

## Rear

Now close the rear using the cover for this and the appropriate fastening rings.

Fig. 5



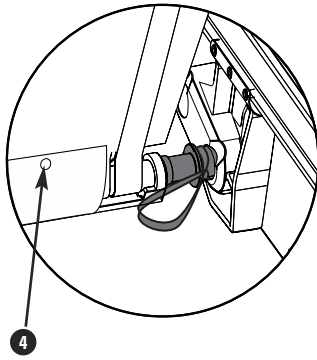
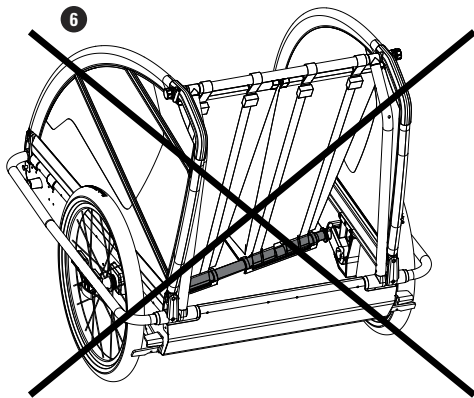
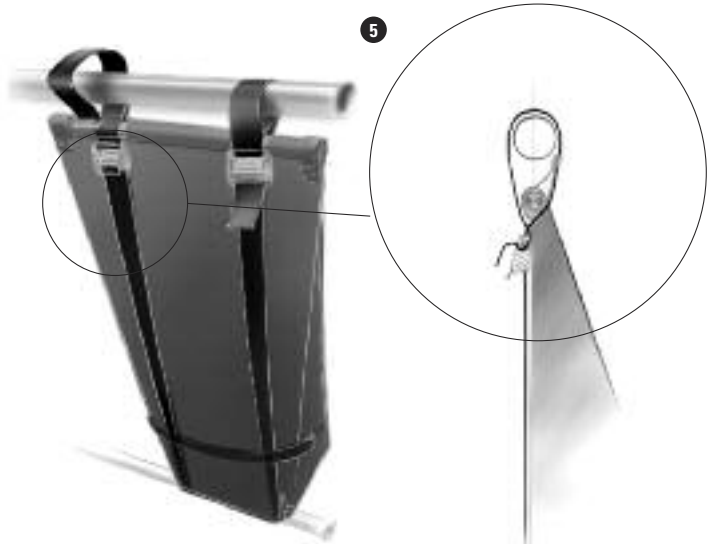


Fig. 5



## Mounting the tow bar (Fig. 6a) \_\_\_\_\_

- 6 Now insert the tow bar into the holder intended for this.

To do this, slide out the tow bar knob and let it snap in again in the desired position.

These positions are possible:

- 7" wheel, parking aid
- 26" wheel, mountain bike
- 29" wheel, city bike

To take off the tow bar you must first remove the safety bolt on the end of the tow bar (inner side) and then slide out the tow bar knob (red) on the side.

Now you can take off the tow bar by sliding it forwards.

Please insert the safety bolt into the tow bar again to prevent losing it.

### **Attention: Parking aid wheel**

- The parking aid wheel makes it easier to handle the trailer when you don't have a pulling bicycle.
- The trailer must **not** be used as a baby carriage.

## Mounting the roof (Fig. 6b) \_\_\_\_\_

- 7 Now take the top cover and place this on the trailer in the direction of travel. Loop the rubber cord over the fastening nuts at the upper end of the roof as indicated in the diagram.

- 8 Now you can hang the fastening rings on the corresponding «knobs» using the red tapes.

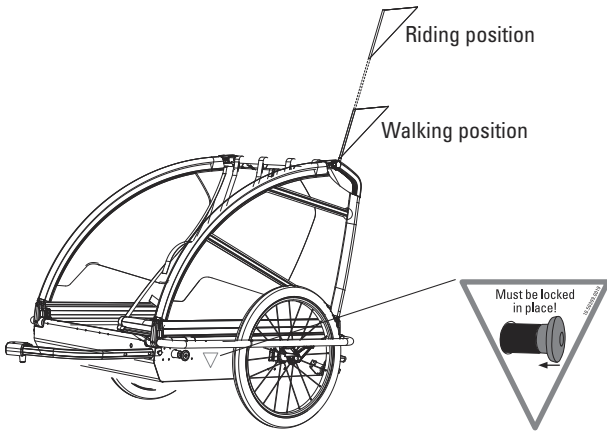


Fig. 6a

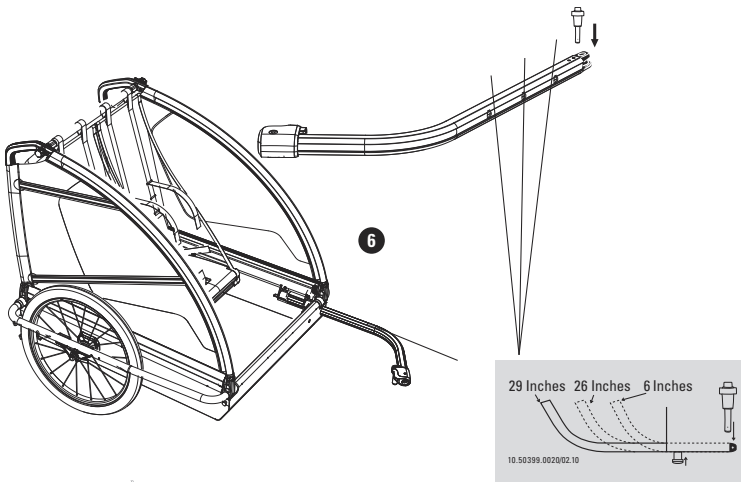
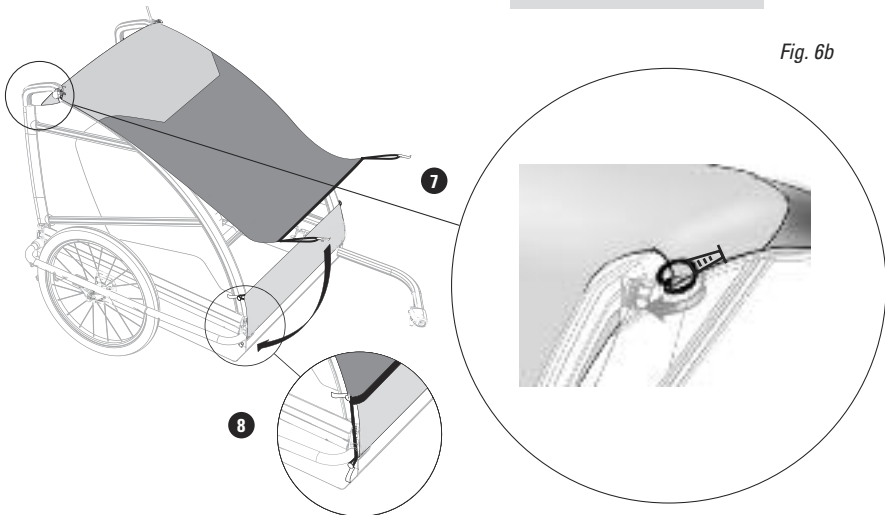


Fig. 6b



## Seat adjustment

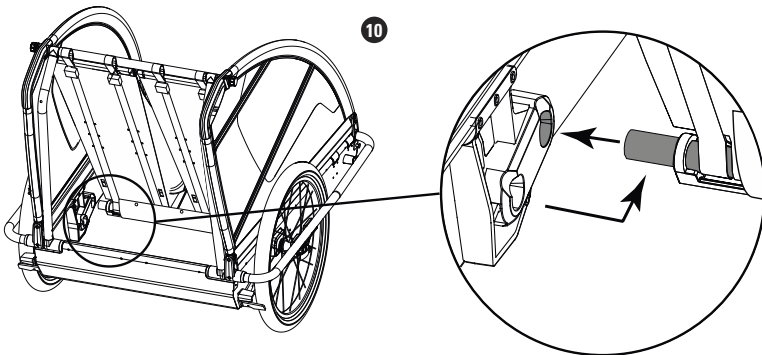
- 9 By pulling the strap, seat tube unlocking.
- 10 Unhook the seat tube on both sides and insert the left end to the new position.
- 11 Engage seat tube pin right in the new position.
- 12 Seat tube must not be inserted inclined.

Fig. 7

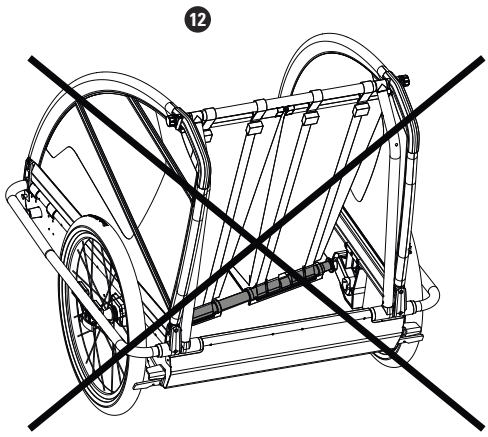
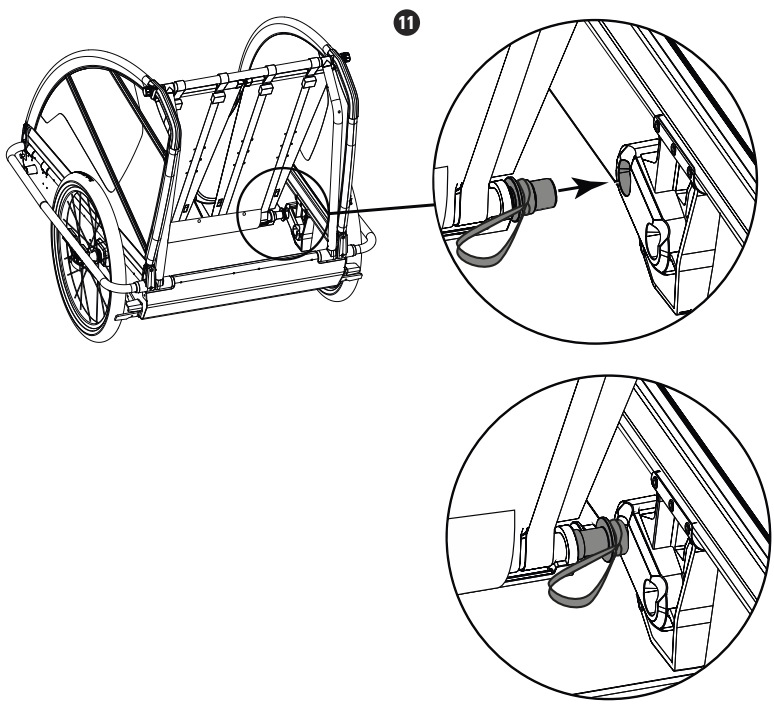
9



10







## Hitching and unhitching (Fig. 10–18)

### Hitching

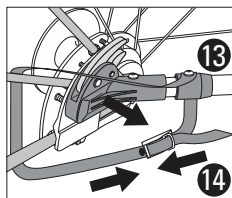
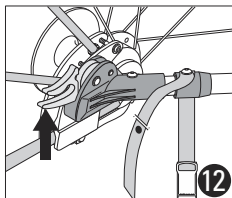
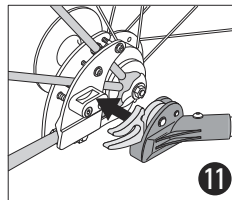
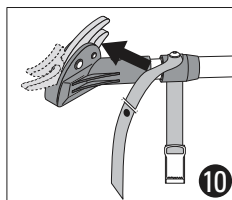
- 10 Open the coupling lever. Using the thumb, push up the shorter lever and flip over forwards fully.
- 11 Slide the coupling sideways over the pulling part on the coupling plate.
- 12 Close the coupling. Flip the longer lever over towards the back, and then press down until the coupling latches in.
- *Warning: The coupling lever must be fully latched in.*
- 13 Control of hold by pulling away to the side.
- 14 Loop the safety strap around the bicycle frame and fasten it using the clamp buckle.
- *Warning: For reasons of safety always mount the safety strap.*

### Unhitching

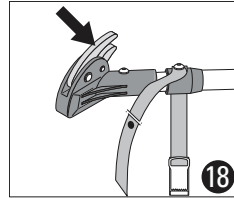
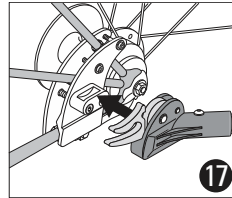
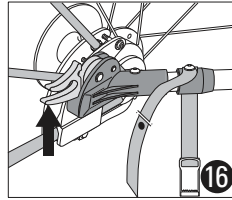
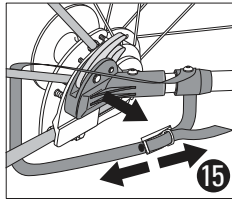
- 15 Release the safety strap.
- 16 Open the coupling (see above).
- 17 Pull the coupling housing away to the side.
- 18 Close the coupling again.

Note: To avoid damages, only store away the trailer with the coupling closed.

### Hitching



## Unhitching



## Maintenance and care

### Material; white:

- The colour of the material changes over time. It may be that it darkens slightly.
- We exclusively use non-toxic materials to manufacture the textile parts. Our textiles are anti-toxic, treated to resist fungus growth and dirt repellent.

### TIP

Maintenance: All links and moveable parts are maintenance free.

Note: Only use silicon based oils should lubrication be necessary.

Care: Summer hood: washable to 40 °C. To clean, only use water with dish soap and a soft cloth or sponge. The seat padding can be removed when cleaning (Fig. 2).

### CAUTION

In order to prevent damage to materials, never use cleaning agents with abrasive effects or cleaning agents containing solvents such as Acetone, Toluol etc.

# Safety check-list

---

**Before using your trailer for the first time, please re-read the general safety precautions in the first section.**

**Every time you use the trailer, check the following before doing so:**

- Are the wheels properly and securely attached?
- Are the tyre pressures between 2.0 and 2.4 bar?
- Is the trailer hitch properly attached?
- Is the trailer towbar properly secured with the safety strap and pin?
- Is the roll bar correctly fitted and secured?
- Is the trailer load within the maximum allowable limit (45 kg for two-seaters, 34 kg for single-seaters)
- Is the bicycle in perfect technical working order (esp. brakes, steering and tyres)?
- Are all persons (including children) wearing bicycle helmets?
- Have you fitted the safety flag?
- Are lights and reflectors correctly fitted?
- Are all the children who are being carried in the trailer properly and securely strapped in?

**Once a month:**

- Check the trailer towbar, hitch and flexible joint for damage, scoring or loose fixings.
- Check frame bars and hardware for damage, cracks or loose fixings.
- Check tyres for wear and cracks.
- Check wheel rims for buckles and cracks.
- Check wheel bearings for wear.
- Check trailer cover, fabric parts, child seats and belt system for tears, signs of wear and missing or damaged hardware.





BRÜGGLI INDUSTRIE  
Hofstrasse 3+5 | CH-8590 Romanshorn  
T +41 71 466 95 95 | F +41 71 466 95 96  
info@leggero.ch | www.leggero.ch

10.52000.0018.5/05.15